

Web site: www.marinco.com

Phone: 800-307-6702

Date: July, 2011

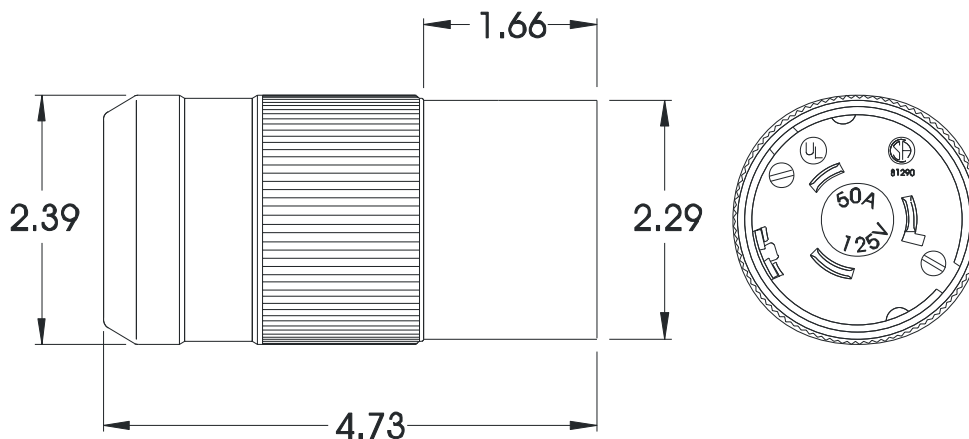
Rev: 01

Plug, 50A, 125V
2-Pole, 3-Wire

Catalog Number: 6361CRN

- Item: Plug, locking, corrosion-resistant
- Rating: 50 amperes, 125 volts, 2-pole, 3-wire.
- Configuration: NEMA SS-1
- Materials: Plastic parts are nylon with CTI greater than 600 volts.
- Color: Housing and sleeve are yellow.
- Terminals: Terminals have 5/16" screws with Perma-Lock™ collar to encapture the wire strands. The terminal screw does not bear down on the wire.
- Cord Clamp: Internal, self centering.
Accommodates cable up to 1.2" (6/3 S).
- Overall Design: Two assembly screws.
Dust seal at cord entry.
Beveled housing.
Corrosion resistant.
- Listings: UL listed, File E57672
CSA certified, File LR81290

Dimensions:



Dimensions shown in inches