

product specifications for:

Spotlights

**Item #: 22050A (With Remote)
22051A (Spotlight Only)**

Description

IP67 Stainless Steel Spot/Floodlight

Electrical Specifications

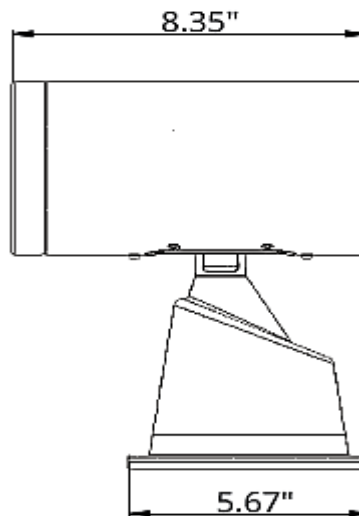
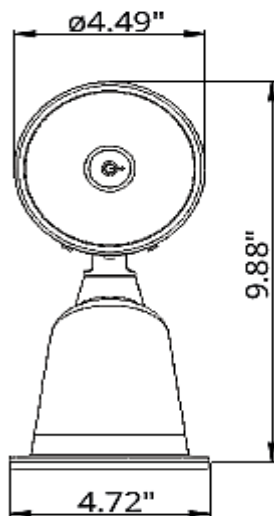
Voltage: 12V
Amp Draw: Spot 8.3A, Flood 7.5A
Bulb: H4 Halogen

Performance

Peak Beam Intensity: 165,000 CP (Spot)
IP Rating: IP 67
Sweep Angle: 350° Horizontal, 60° Vertical

Material Specifications

Base: 316 Stainless
Head: 304 Stainless
Weight: 6 lb



Dimensions are in inches.
Drawing not to scale.

toll free 800.307.6702 | marinco.com

MARINCO