

Web site: [www.marinco.com](http://www.marinco.com)  
Phone: 800-307-6702  
Date: September, 2013 Rev: 00

Inlet, Locking, Non-metallic  
16A, 230V

### Catalog Number: 304EL-BX

**Item:** Inlet, non-metallic locking.

**Rating:** 16 amperes, 230 volts, 50 Hz, single-phase, 2-pole, 3-wire..

**Materials:** Cap & Bezel are glass-filled polyester.  
Plug body is nylon with CTI greater than 600 volts.  
Contact blades and terminal parts are nickel plated brass.  
Rear enclosure is glass-filled polyester with UL flammability rating of 94V-0.

**Terminals:** Clamp-type terminals accept up to 4 mm<sup>2</sup> wire.

**Enclosure:** Provided. Has integral strain relief for oval jacketed cable.  
Cable exits at right angle to enclosure in any of 8 positions.

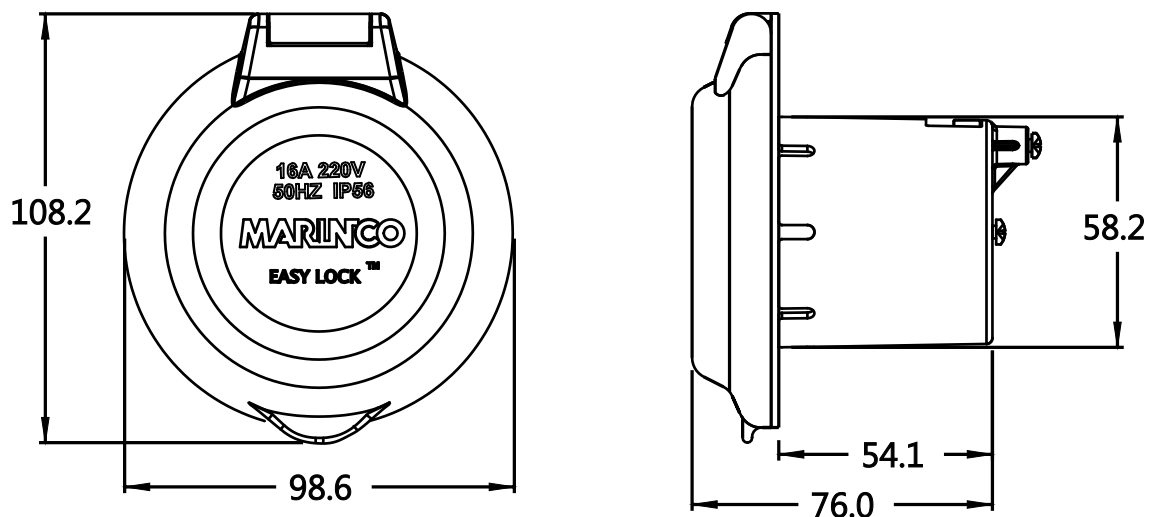
**Blades:** Blades are nickel-plated brass 1.8 mm thick.

**Mounting screws:** Not provided. Three mounting holes are 4.1 mm diameter, 120° apart on 80.3 mm diameter circle.

**Mounting Gasket:** Solid Neoprene, 1.6 mm thick.

**Cap Closure:** Pressure close. Provided with Easy Lock™ bayonet style locking system.  
Provides weather seal when used with cords having threaded, or Easy Lock™ sealing rings.

#### Dimensions:



Dimensions shown in millimeters