

Web site: www.marinco.com

Phone: 800-307-6702

Date: July, 2011

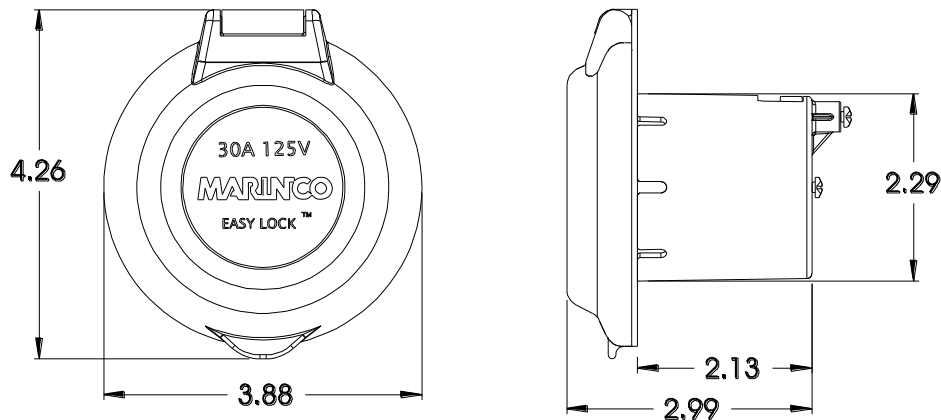
Rev: 01

Inlet, Locking, Non-metallic
30A, 125V

Catalog Number: 304EL-B

- Item:** Inlet, non-metallic locking.
- Rating:** 30 amperes, 125 volts.
- Materials:** Cap & Bezel are glass-filled polyester.
Plug body is nylon with CTI greater than 600 volts.
Contact blades and terminal parts are nickel plated brass.
Rear enclosure is glass-filled polyester with UL flammability rating of 94V-0.
- Terminals:** Clamp-type terminals. No. 10 terminal screws accept up to 8 AWG wire.
- Enclosure:** Provided. Has integral strain relief for oval jacketed cable.
Cable exits at right angle to enclosure in any of 8 positions.
- Blades:** Blades are solid brass 0.07" thick.
- Mounting screws:** Not provided. No. 8 panhead recommended. Three mounting holes are 0.16" diameter, 120° apart on 3.16" diameter circle.
- Mounting Gasket:** Solid Neoprene, 1/16" thick.
- Cap Closure:** Pressure close. Provided with Easy Lock™ bayonet style locking system.
Provides weather seal when used with cords having threaded, or Easy Lock™ sealing rings.
- Listings:** UL Marine listed, File E57672
CSA certified, File LR81290
Complies with ABYC and Coast Guard Standards.

Dimensions:



Dimensions shown in inches