

Web site: www.marinco.com

Phone: 800-307-6702

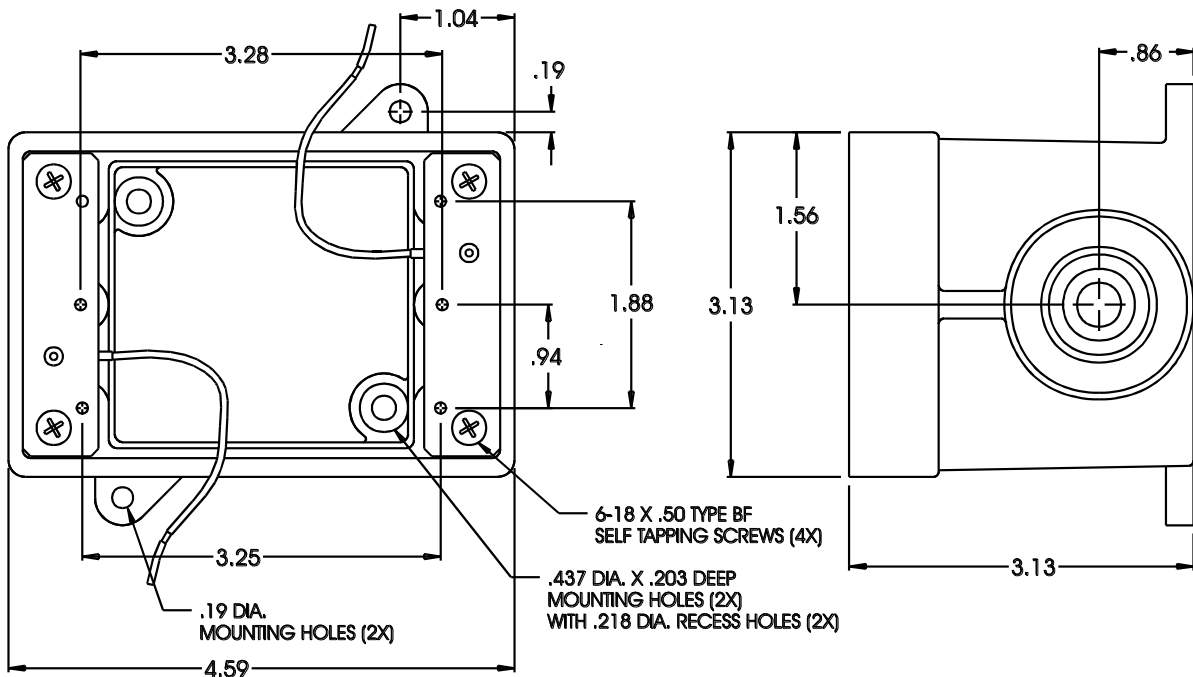
Date: January, 2012 Rev: 01

FD Box, non-metallic

Catalog Numbers: 6083CR, 6084CR

- Item:** FD Box, non-metallic, for use with rigid non-metallic conduit
Suitable for use in wet locations when used with weatherproof cover plates
- Conduit Openings:** Provided with knockouts that accommodate $\frac{3}{4}$ " conduit fitting (6083CR) or 1" conduit fitting (6084CR)
- Volume:** 21.8 cubic inches
- Color:** Yellow
- Materials:** Glass-filled polyester
- Box Mounting:** Provided with internal and external mounting means
- Device Mounting:** Stainless steel straps provided with #6-32 tapped holes (6x) to mount devices and cover plates. Insulated #14 solid wires provided to ground the mounting straps or the device.
- Listings:** UL listed, CSA certified

Dimensions:



Dimensions shown in inches