

product specifications for:

Wiper Motors

Item #: 83011 (Retail)
83111 (OEM)

Description

3000 Waterproof Wiper Motor, 1.5" shaft, 12V, 110°

Motor Specifications

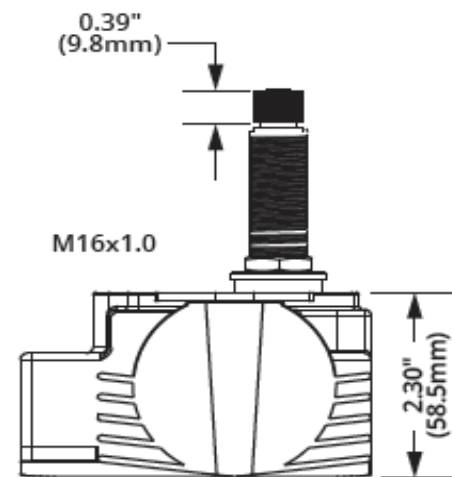
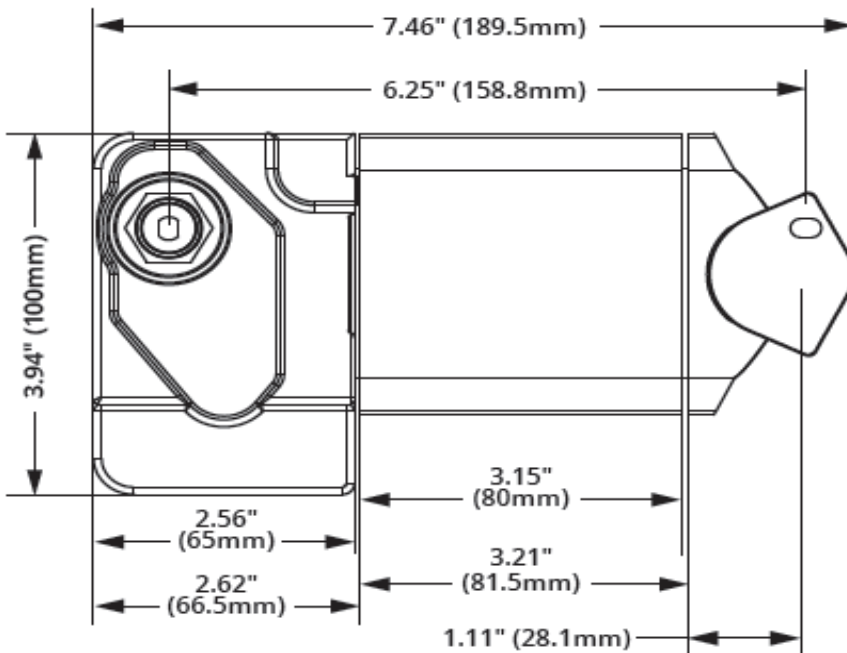
Voltage: 12V
Stall Torque: 159 in-lbs (183 kgf/cm; 18 Nm)
Stall Current: 10.2 - 12.2 Amps

Material Specifications

Body: Aluminum
Gasket(s): Neoprene
Exterior: White Powder Coating
Motor Shaft: Nickel Plated Brass

Standards and Certifications

IEC Ingress Protection Rating: IP66



Dimensions: inches [mm]
Drawing not to scale.

toll free 800.307.6702 | marinco.com

MARINCO