

product specifications for:

# Wiper Motors

**Item #: 83012 (Retail)**  
**83112 (OEM)**

## Description

3000 Waterproof Wiper Motor, 2.5" shaft, 12V, 110°

## Motor Specifications

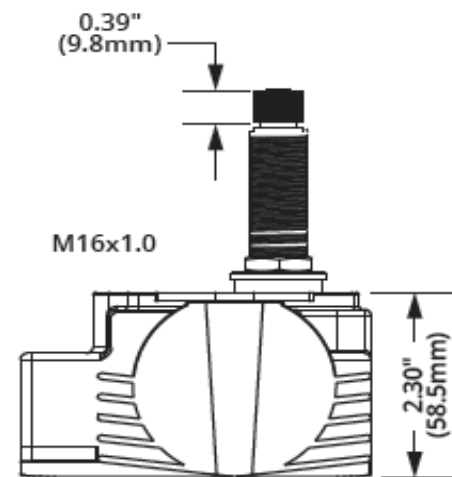
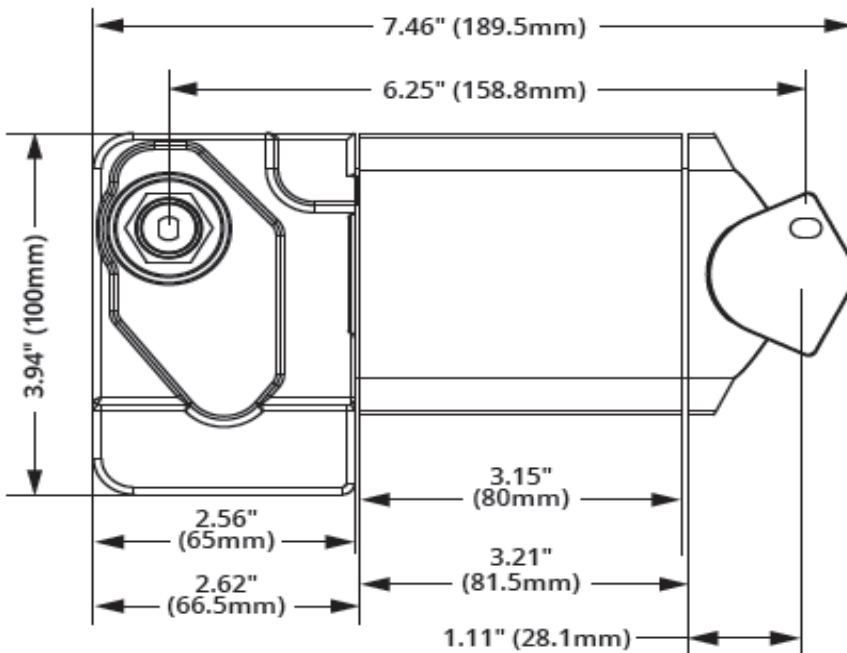
Voltage:	12V
Stall Torque:	159 in-lbs (183 kgf/cm; 18 Nm)
Stall Current:	10.2 - 12.2 Amps

## Material Specifications

Body:	Aluminum
Gasket(s):	Neoprene
Exterior:	White Powder Coating
Motor Shaft:	Nickel Plated Brass

## Standards and Certifications

IEC Ingress Protection Rating: IP66



Dimensions: inches [mm]  
Drawing not to scale.

toll free 800.307.6702 | [marinco.com](http://marinco.com)

**MARINCO**